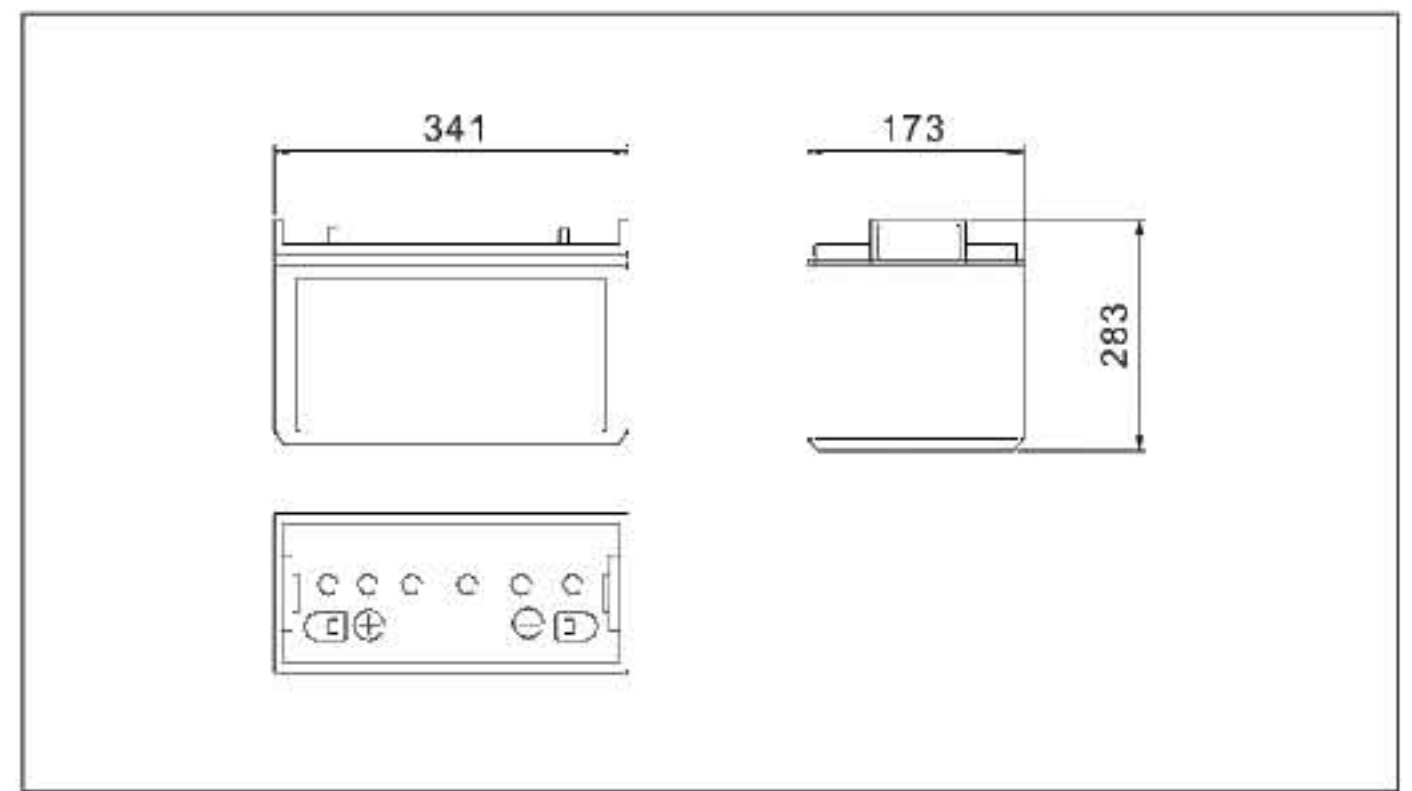


Ventura

HR12520W(12V140Ah)



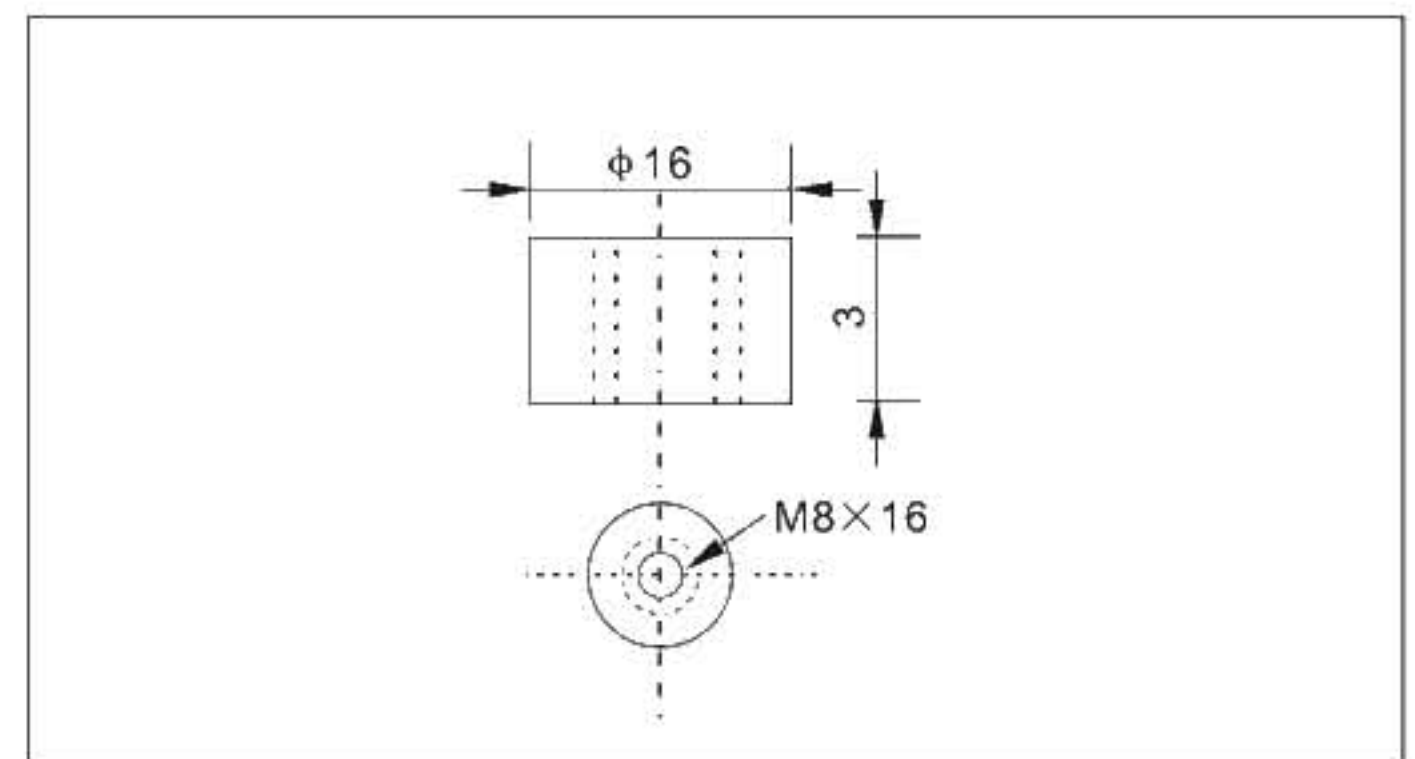
Outer dimensions (mm)



Specifications

Nominal Voltage	12V	
CAPACITY(15 minutes rate to 1.67V/cell)	520W	
Rated capacity (10hour rate)	140Ah	
Dimensions	Total Height	283 mm (11.15 inches)
	Height	283 mm (11.15 inches)
	Length	341 mm (13.4 inches)
	Width	173mm (6.81 inches)
Weight Approx	46Kg (101.2lbs)	

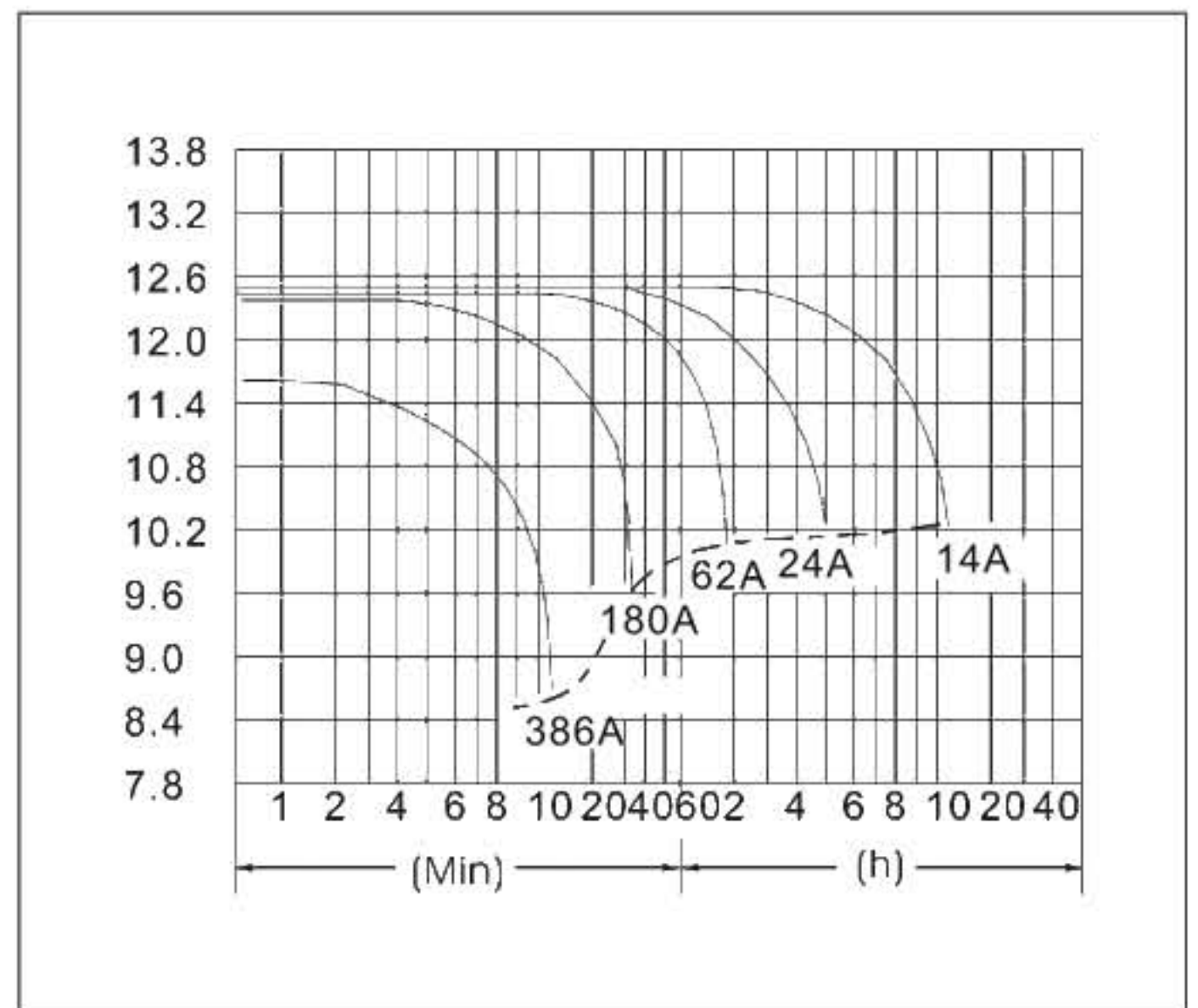
Terminal Type (mm)



Characteristics

Capacity 25°C(77°F)	30min rate	1881W
	15min rate	3120W
	5min rate	5506W
Internal Resistance	Full charged Battery at 25°C(77°F)	3 mΩ
Capacity affected by Temperature (20hour rate)	40°C(104°F)	102%
	25°C(77°F)	100%
	0°C(32°F)	85%
	-15°C(5°F)	65%
Self-Discharge at 25°C(77°F)	Capacity after 3 month storage	91%
	Capacity after 6 month storage	82%
	Capacity after 12 month storage	64%
Terminal	T19	
Charge (constant Voltage)	Cycle	Initial Charging Current less than 28A Voltage 14.10-14.40V
	Float	Voltage 13.50-13.80V

Discharge Curves 25°C(77°F)



Constant power discharge unit:watts(25°C, 77°F)

	5min	10min	15min	20min	30min	45min	60min	90min
9.60V	5506	4118	3191	2630	1961	1444	1132	842
10.02V	5271	3985	3120	2585	1917	1391	1105	813
10.2V	5035	3833	3049	2523	1881	1373	1079	785
10.5V	4805	3744	2968	2478	1845	1328	1034	748
10.8V	4569	3352	2630	2300	1640	1186	936	718
11.1V	4069	2995	2389	2122	1524	1114	880	683

Constant current discharge unit:A(25°C, 77°F)

	5min	15min	30min	45min	60min	90min	5h	10h
9.60V	517.4	298.5	182.6	133.5	104.2	77.4	23.0	15.0
10.02V	490.0	286.6	175.2	126.7	99.6	73.4	22.8	14.7
10.2V	455.7	276.2	169.3	123.8	96.4	70.2	22.6	14.4
10.5V	421.4	258.4	157.4	113.7	87.9	65.9	22.3	14.0
10.8V	401.8	228.7	142.2	102.8	80.9	61.8	22.1	13.6
11.1V	352.8	209.4	132.7	96.4	75.9	58.7	21.6	13.2