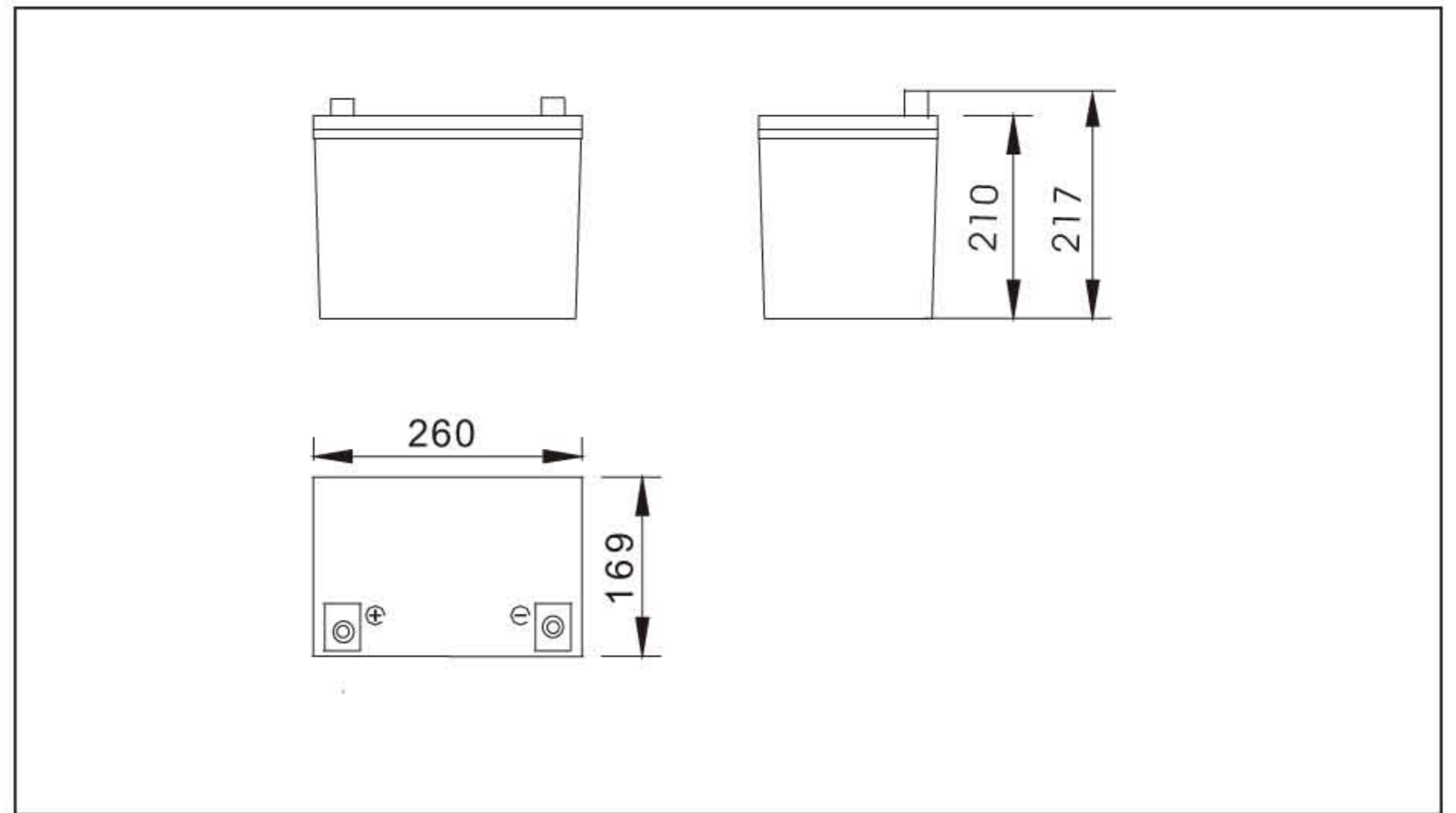


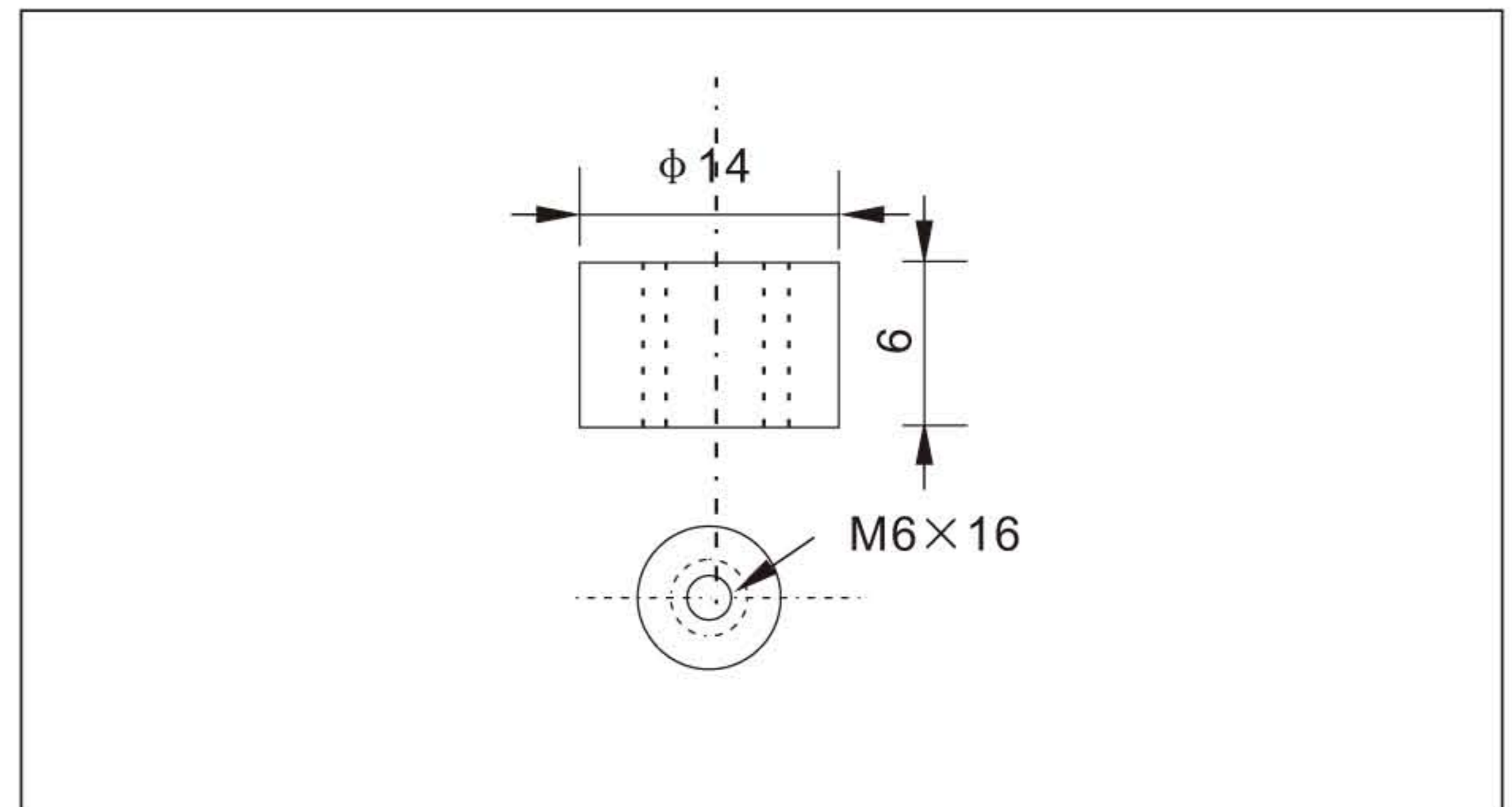
Ventura

HR12270W(12V80Ah)

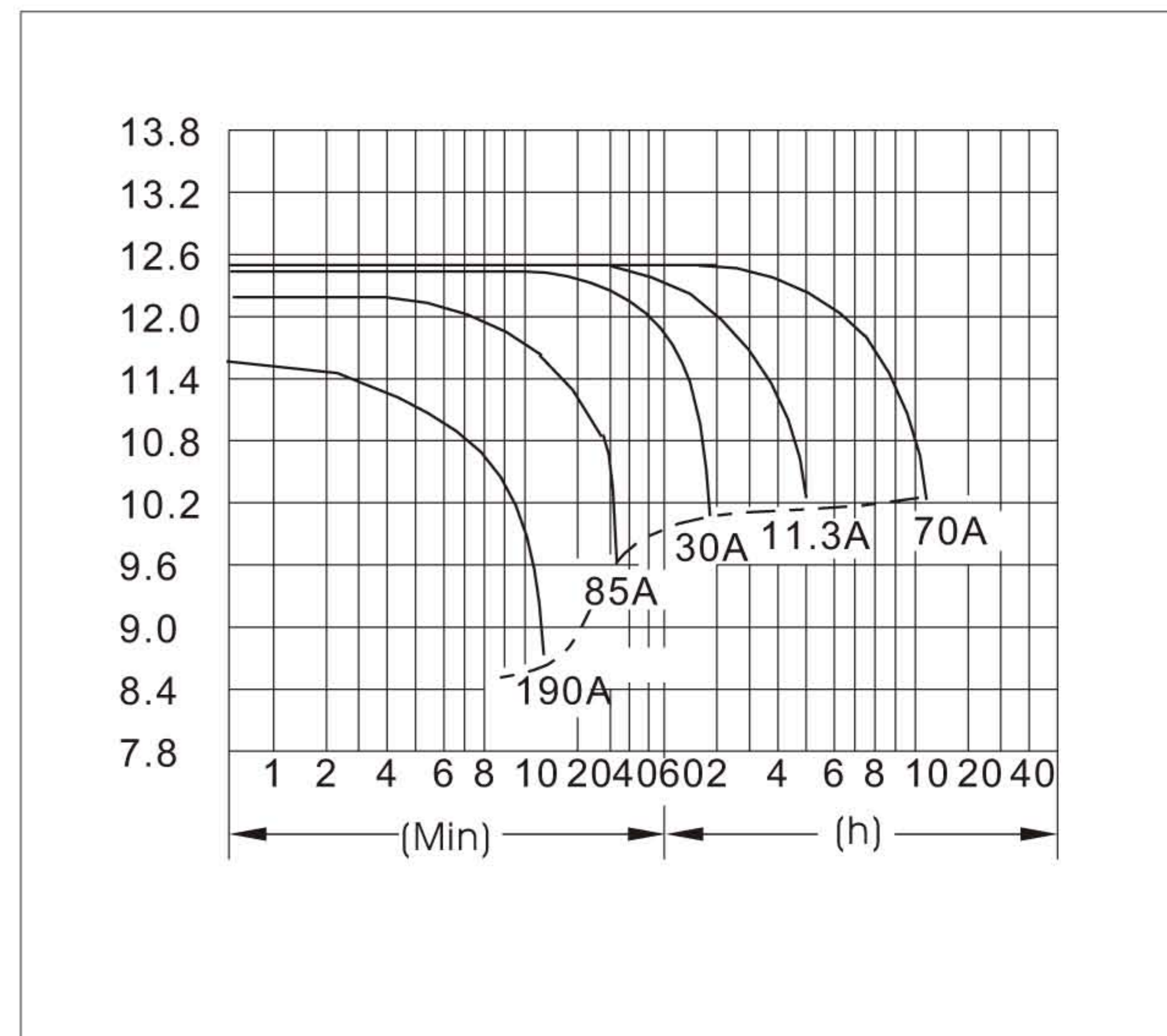
● Outer dimensions (mm)



● Terminal Type (mm)



● Discharge Curves 25°C (77°F)



● Constant current discharge unit: A (25°C, 77°F)

	5min	15min	30min	45min	60min	90min	5h	10h
9.60V	259.8	149.8	91.7	67.0	52.3	38.8	11.6	7.5
10.02V	246.0	143.9	88.0	63.6	50.0	36.8	11.4	7.4
10.2V	228.8	138.7	85.0	62.2	48.4	35.3	11.3	7.2
10.5V	211.6	129.7	79.0	57.1	44.1	33.1	11.2	7.0
10.8V	201.7	114.8	71.4	51.6	40.6	31.0	11.1	6.8
11.1V	177.1	105.1	66.6	48.4	38.1	29.4	10.8	6.6

● Specifications

Nominal Voltage		12V
CAPACITY(15 minutes rate to 1.67V/cell)		270W
Rated capacity (20hour rate)		80Ah
Dimensions	Total Height	217 mm (8.55inches)
	Height	210 mm (8.27inches)
	Length	260 mm (10.2 inches)
	Width	169mm (6.65 inches)
Weight Approx		24Kg (52.9lbs)

● Characteristics

Capacity 25°C(77°F)	30min rate 15min rate 5min rate	977W 1620W 2859W
Internal Resistance	Full charged Battery at 25°C(77°F)	5 mΩ
Capacity affected by Temperature (20hour rate)	40°C(104°F) 25°C(77°F) 0°C(32°F) -15°C(5°F)	102% 100% 85% 65%
Self-Discharge at 25°C(77°F)	Capacity after 3 month storage Capacity after 6 month storage Capacity after 12 month storage	91% 82% 64%
Terminal	T12、T16	
Charge (constant Voltage)	Cycle	Initial Charging Current less than 14A Voltage 14.10-14.40V
	Float	Voltage 13.50-13.80V

● Constant power discharge :watts(25°C, 77°F)

	5min	10min	15min	20min	30min	45min	60min	90min
9.60V	2859	2138	1657	1365	1018	750	588	437
10.02V	2737	2069	1620	1342	995	722	574	422
10.2V	2614	1990	1583	1310	977	713	560	408
10.5V	2495	1944	1541	1287	958	690	537	388
10.8V	2373	1740	1365	1194	852	616	486	373
11.1V	2113	1555	1240	1102	791	579	457	355