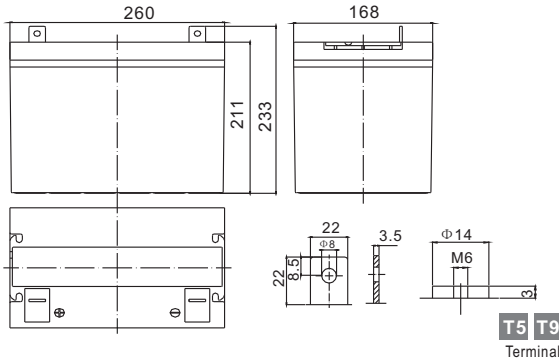


# Standard Series

## GPL 12-75 12V75Ah

### Dimension(mm)



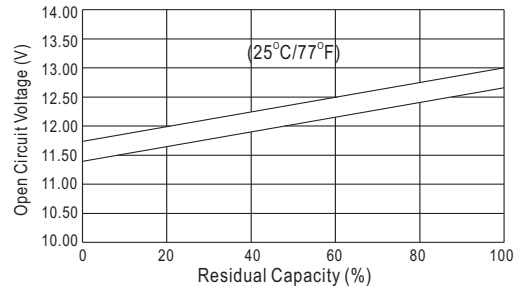
### Specification

Nominal Voltage		12 V
Capacity(10HR, 25°C)		75Ah
Dimension	Length	260mm (10.2inch)
	Width	168mm (6.6inch)
	Height	211mm (8.3inch)
	Total Height(T5/T9)	233mm (9.2inch)/214mm (8.4inch)
Approx. Weight		23kg (50.6lbs)

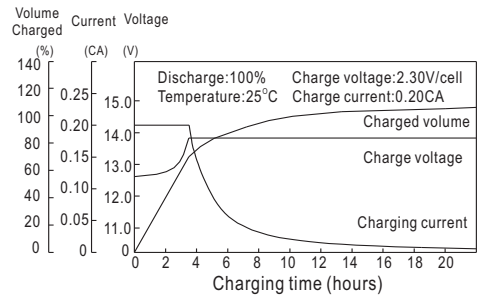
### Characteristics

Capacity 20°C (68□) To 1.70V/Cell	20 hour rate	79.2Ah
	10 hour rate	75Ah
	5 hour rate	67.5Ah
	1 hour rate	45.4Ah
	15 min rate	29.7Ah
Internal resistance(Fully charged, 25°C)		Approx. 5.5m Ω
Capacity affected by temperature (10HR)	40°C	102%
	25°C	100%
	0°C	85%
	-15°C	65%
Self-discharge (25°C)	3 month	Remaining Capacity: 91%
	6 month	Remaining Capacity: 82%
	12 month	Remaining Capacity: 65%
Nominal operating temperature		25°C ± 3°C (77°F ± 5°F)
Operating temperature range		-15°C ~ 50°C (5°F ~ 122°F)
Float charging voltage(25°C)		13.50 to 13.80V
Cyclic charging voltage(25°C)		14.50 to 14.90V
Maximum charging current		22.5A
Terminal material		Copper
Maximum discharge current		800A(5 Sec.)

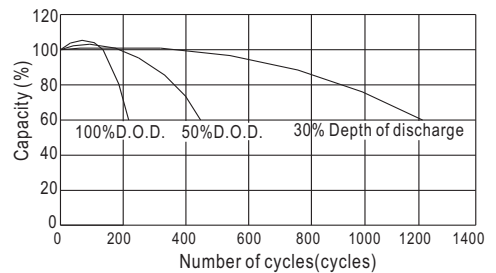
### The Relationship for Open Circuit Voltage and Residual Capacity (25°C)



### Charging Characteristics(25°C)



### Cycle Life(25°C)



### Constant Current Discharge Characteristics (A, 25°C)

F.V/TIME	5min	10min	15min	30min	60min	3h	5h	10h	20h
9.60V	236	158	124	78.0	47.3	19.4	13.7	7.61	4.00
10.2V	224	150	119	74.9	45.4	19.1	13.5	7.55	3.96
10.8V	211	141	113	71.1	43.1	18.7	13.2	7.50	3.94

### Constant Power Discharge Characteristics (Watt, 25°C)

F.V/TIME	5min	10min	15min	30min	60min	3h	5h	10h	20h
9.60V	2481	1701	1359	875	539	228	162	90.9	48.0
10.2V	2357	1616	1304	840	517	225	160	90.1	47.5
10.8V	2215	1519	1239	798	491	220	156	90.1	47.3