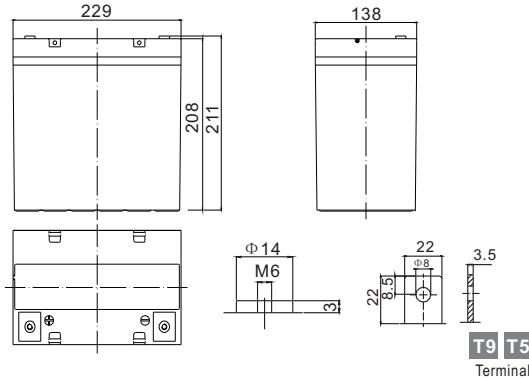


Standard Series GPL 12-55 12V55Ah

Dimension(mm)



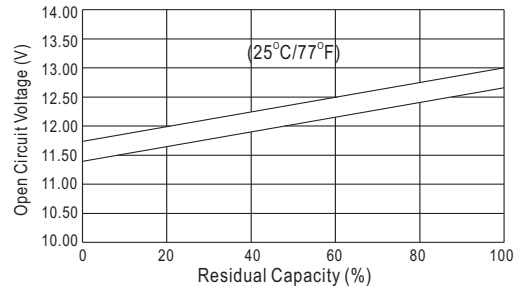
Specification

Nominal Voltage		12 V
Capacity(10HR, 25°C)		55Ah
Dimension	Length	229mm (9.0inch)
	Width	138mm (5.4inch)
	Height	208mm (8.2inch)
	Total Height(T9/T5)	211mm (8.3inch)/230mm (9.1inch)
Approx. Weight		17.5kg (38.6lbs)

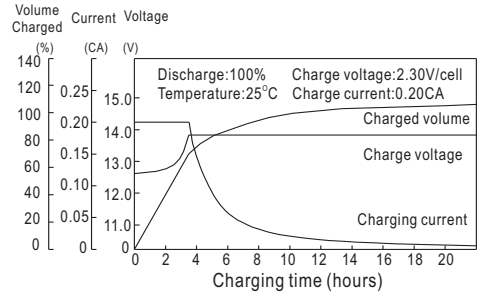
Characteristics

Capacity 20°C (68□) To 1.70V/Cell	20 hour rate	57.6Ah
	10 hour rate	55Ah
	5 hour rate	49.5Ah
	1 hour rate	34.6Ah
	15 min rate	24Ah
Internal resistance(Fully charged, 25°C)		Approx.5.8m Ω
Capacity affected by temperature (10HR)	40°C	102%
	25°C	100%
	0°C	85%
	-15°C	65%
Self-discharge (25°C)	3 month	Remaining Capacity: 91%
	6 month	Remaining Capacity: 82%
	12 month	Remaining Capacity: 65%
Nominal operating temperature		25°C ±3°C(77°F ±5°F)
Operating temperature range		-15°C~50°C(5°F~122°F)
Float charging voltage(25°C)		13.50 to 13.80V
Cyclic charging voltage(25°C)		14.50 to 14.90V
Maximum charging current		16.5A
Terminal material		Copper
Maximum discharge current		550A(5 Sec.)

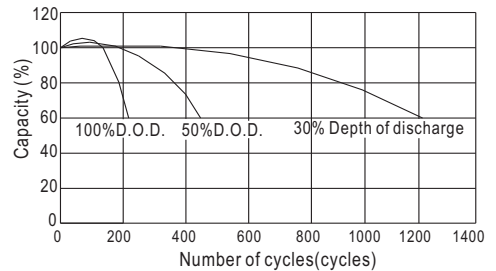
The Relationship for Open Circuit Voltage and Residual Capacity (25°C)



Charging Characteristics(25°C)



Cycle Life(25°C)



Constant Current Discharge Characteristics (A, 25°C)

F.V/TIME	5min	10min	15min	30min	60min	3h	5h	10h	20h
9.60V	180	130	100	62.0	36.0	14.7	10.0	5.58	2.89
10.2V	171	124	96.0	59.5	34.6	14.5	9.9	5.53	2.88
10.8V	161	116	91.2	56.5	32.8	14.2	9.7	5.50	2.85

Constant Power Discharge Characteristics (Watt, 25°C)

5min	10min	15min	30min	60min	3h	5h	10h	20h
1890	1404	1098	696	410	173	118	66.6	34.7
1796	1334	1054	668	394	171	117	66.0	34.6
1688	1254	1001	634	374	167	115	65.7	34.2