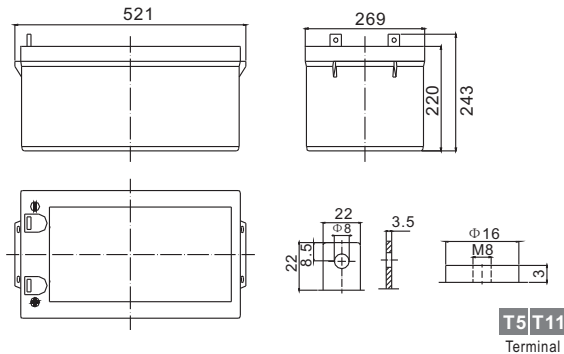


Standard Series

GPL 12-250 12V250Ah

Dimension(mm)



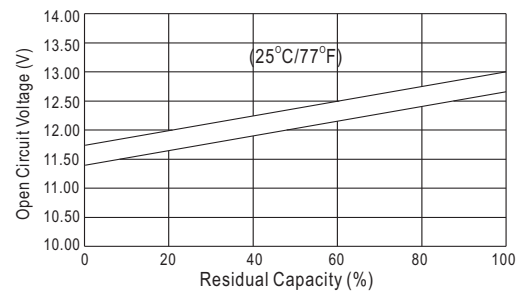
Specification

Nominal Voltage		12 V
Capacity(10HR, 25°C)		250 Ah
Dimension	Length	521mm (20.5inch)
	Width	269mm (10.6inch)
	Height	220mm (8.7inch)
	Total Height(T5/T11)	242mm (9.5inch)/223mm (8.8inch)
Approx. Weight		73.5kg (161lbs)

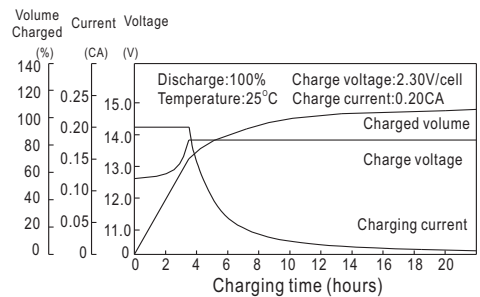
Characteristics

Capacity 20°C (68□) To 1.70V/Cell	20 hour rate	266Ah
	10 hour rate	250Ah
	5 hour rate	225Ah
	1 hour rate	156Ah
	15 min rate	99.5Ah
Internal resistance(Fully charged, 25°C)		Approx. 2.6m Ω
Capacity affected by temperature (10HR)	40°C	102%
	25°C	100%
	0°C	85%
	-15°C	65%
Self-discharge (25°C)	3 month	Remaining Capacity: 91%
	6 month	Remaining Capacity: 82%
	12 month	Remaining Capacity: 65%
Nominal operating temperature		25°C ±3°C(77°F ±5°F)
Operating temperature range		-15°C~50°C(5°F~122°F)
Float charging voltage(25°C)		13.50 to 13.80V
Cyclic charging voltage(25°C)		14.50 to 14.90V
Maximum charging current		75A
Terminal material		Copper
Maximum discharge current		1800A(5 Sec.)

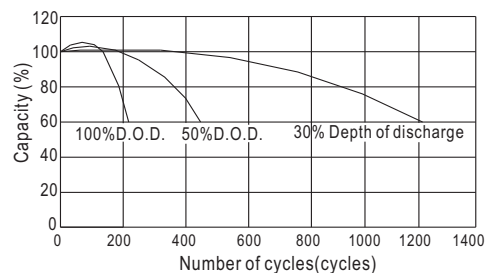
The Relationship for Open Circuit Voltage and Residual Capacity (25°C)



Charging Characteristics(25°C)



Cycle Life(25°C)



Constant Current Discharge Characteristics (A, 25°C)

F.V/TIME	5min	10min	15min	30min	60min	3h	5h	10h	20h
9.60V	775	525	415	265	163	63.9	45.7	25.4	13.4
10.2V	736	499	398	254	156	63.0	45.0	25.2	13.3
10.8V	692	469	378	242	149	61.7	44.1	25.0	13.2

Constant Power Discharge Characteristics (Watt, 25°C)

5min	10min	15min	30min	60min	3h	5h	10h	20h
8138	5670	4557	2973	1858	752	540	303	161
7731	5387	4374	2854	1784	741	532	300	159
7267	5063	4156	2712	1695	726	521	300	158