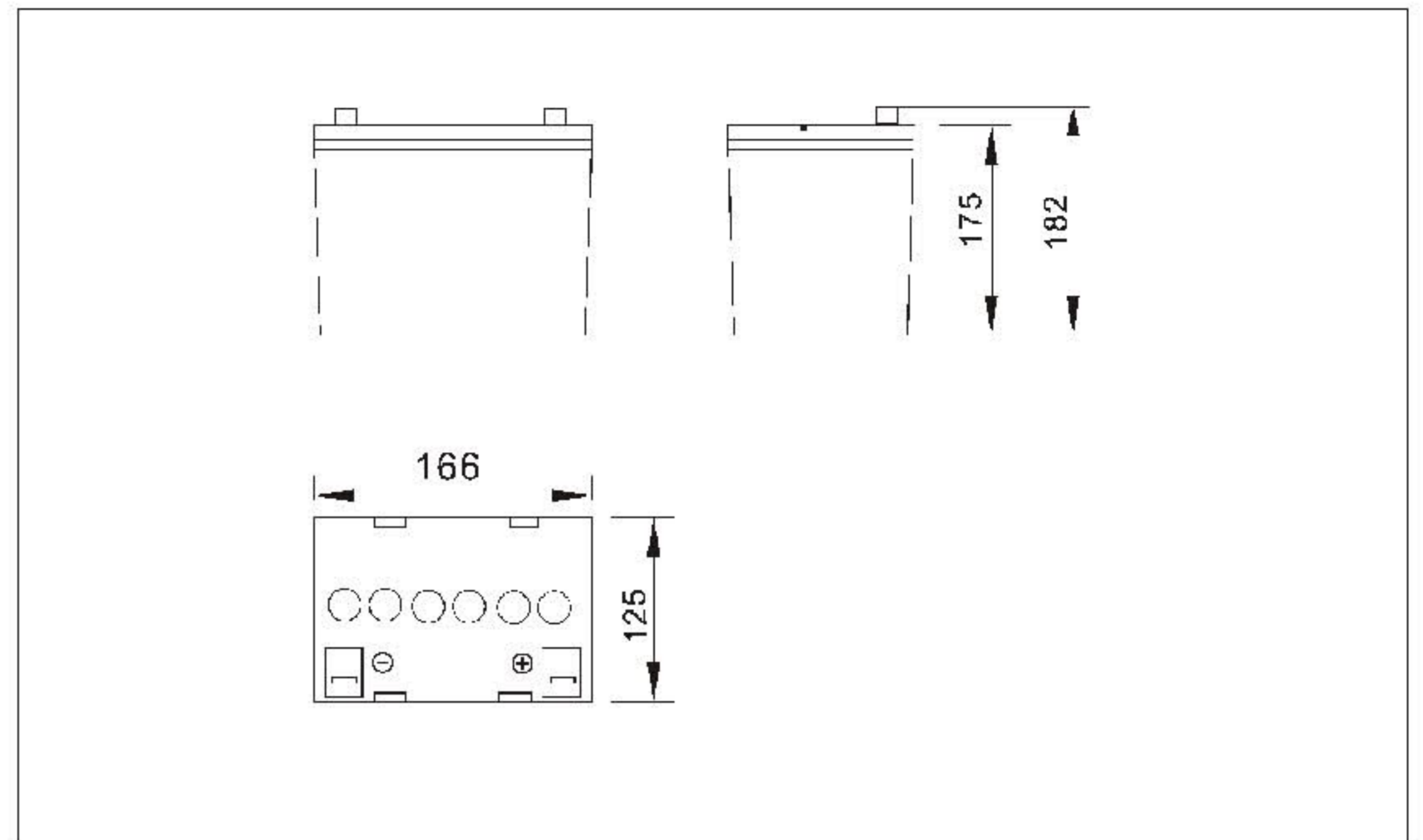


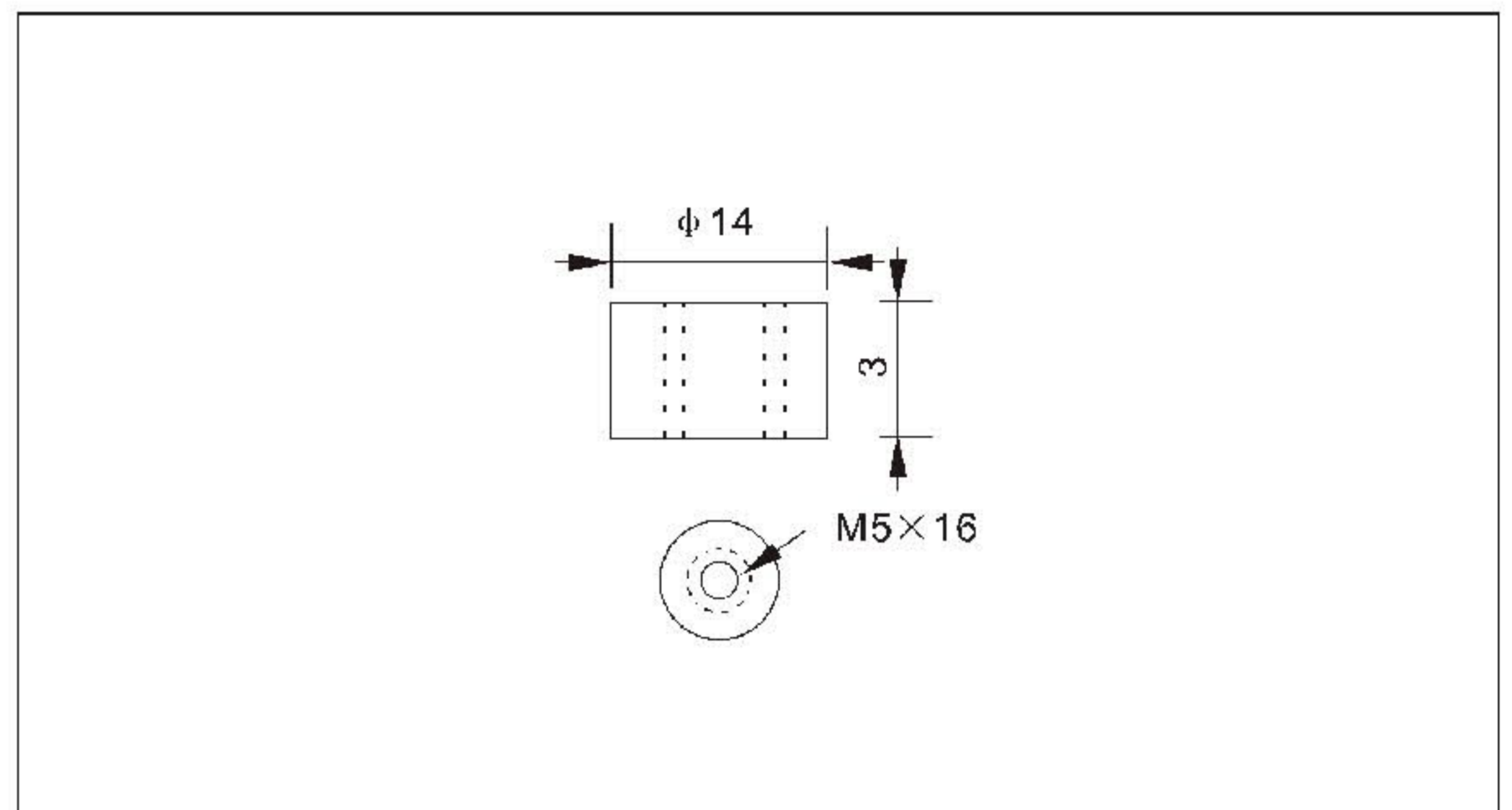
GP 12-28A(12V28Ah)



● Outer dimensions (mm)



● Terminal Type (mm)



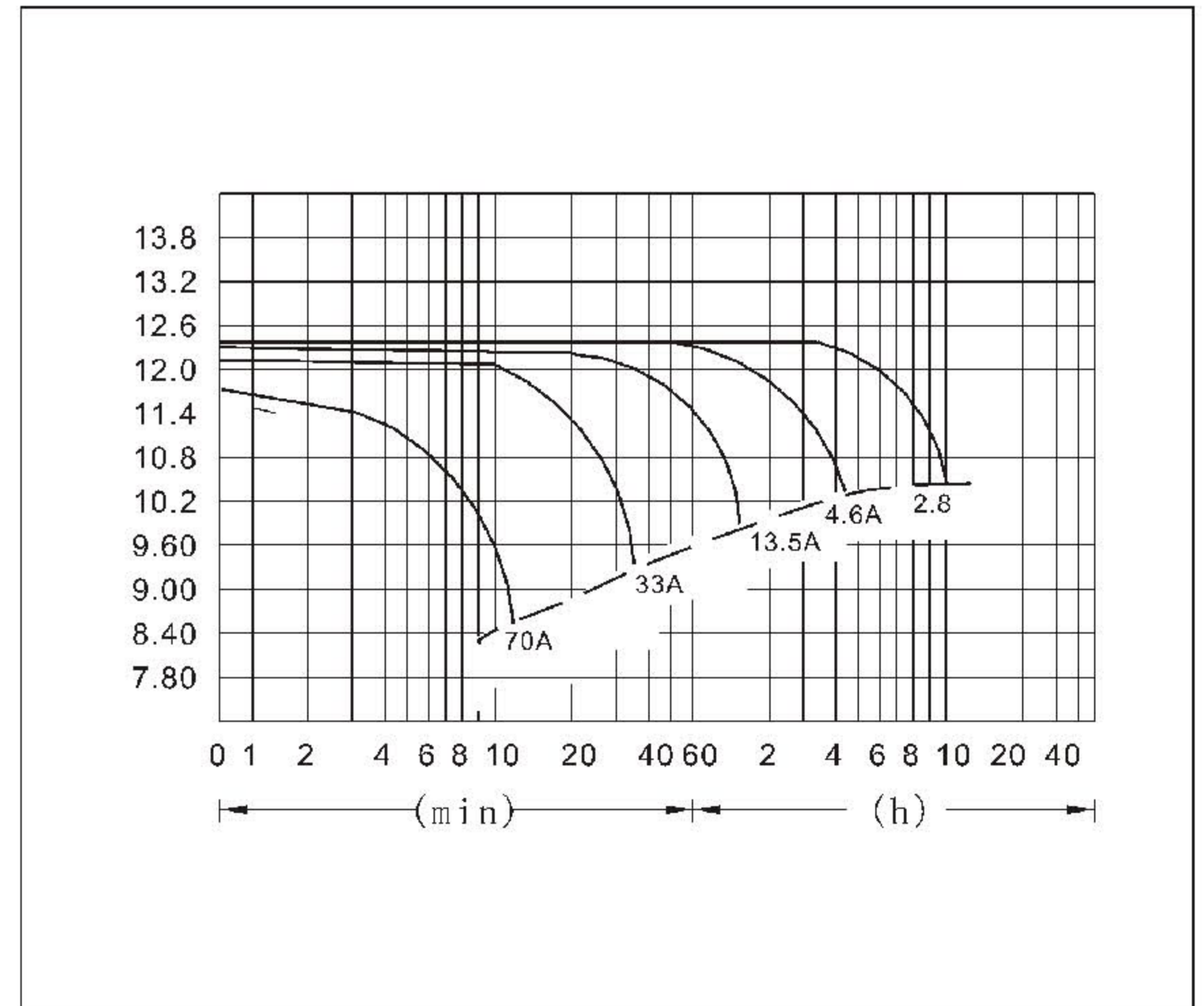
● Specifications

Nominal Voltage	12V	
CAPACITY(15 minutes rate to 1.67V/cell)	106W	
Rated capacity (20 hour rate)	28Ah	
Dimensions	Total Height	182 mm (7.17 inches)
	Height	175 mm (6.89 inches)
	Length	165 mm (6.54 inches)
	Width	125mm (4.92 inches)
Weight Approx	9.5 Kg (22.05lbs)	

● Characteristics

Capacity 25°C(77°F)	30min rate	383W
	15min rate	636W
	5min rate	1122W
Internal Resistance	Full charged Battery at 25°C(77°F)	7.5 m Ω
Capacity affected by Temperature (20hour rate)	40°C(104°F)	102%
	25°C(77°F)	100%
	0°C(32°F)	85%
	-15°C(5°F)	65%
Self-Discharge at 25°C(77°F)	Capacity after 3 month storage	91%
	Capacity after 6 month storage	82%
	Capacity after 12 month storage	64%
Terminal	T28、T66	
Charge (constant Voltage)	Cycle	Initial Charging Current less than 5.6A Voltage 14.10-14.40V
	Float	Voltage 13.50-13.80V

● Discharge Curves 25°C(77°F)



● Constant power discharge :watts(25°C , 77 °F)

	5min	10min	15min	20min	30min	45min	60min	90min
9.60V	1122	840	651	536	400	294	231	172
10.02V	1074	812	636	527	391	283	225	166
10.2V	1026	781	621	514	383	280	220	160
10.5V	979	763	605	505	376	271	211	152
10.8V	931	683	536	469	334	242	191	146
11.1V	830	611	487	432	311	227	179	139

● Constant current discharge :A(25°C , 77 °F)

	5min	15min	30min	45min	60min	90min	5h	10h
9.60V	105.2	60.7	37.1	27.1	21.2	15.7	4.7	3.0
10.02V	99.6	58.3	35.6	25.7	20.3	14.9	4.6	3.0
10.2V	92.6	56.1	34.4	25.2	19.6	14.3	4.6	2.9
10.5V	85.7	52.5	32.0	23.1	17.9	13.4	4.5	2.8
10.8V	81.7	46.5	28.9	20.9	16.4	12.6	4.5	2.8
11.1V	71.7	42.6	27.0	19.6	15.4	11.9	4.4	2.7