

VRLA Rechargeable Battery

BP200-12 (BP200-12FR)



FEATURES

- Maintenance free(no water topping-up required).
- No free acid(Non-spillable battery).
- Low self-discharge rate, lower than 3% capacity loss per month.
- Can be used in any orientation(excluding used inverted).
- Flame-arrestor is installed to ensure safety.
- Carry handles for easy installation.

APPLICATION

- UPS
- Telecom



SPECIFICATIONS

Nominal Voltage	12 V
Nominal Capacity	200Ah @ 20 hour rate F.V.(1.75V/cell)
Approx. Weight	61.5Kg(135.6lbs.)
Terminals	B9 (Fitting M8 bolt & nut) I3 is optional
Internal Resistance	≤2.5mΩ (Fully Charged)
Max. Discharge Current	800 A (5 sec.)
Max. Charge Current	60 A
Operating Temperature Range	Charge : 0°C~40°C(32°F~104°F) Discharge : -20°C~50°C(-4°F~122°F) Storage. : -20°C~40°C(-4°F~104°F)
Container Material	ABS(UL94-HB, UL94-V0 is optional)

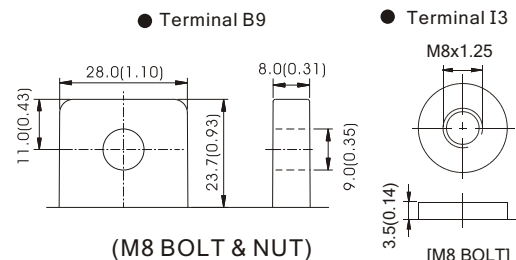
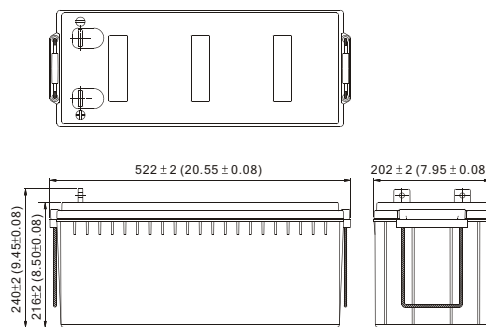
ISO 9001	
ISO14001	
UL	
CE	
<ul style="list-style-type: none"> ● IEC60896 ● JIS C 8704 ● GB/T 19638 	

DIMENSION(mm/inch)

OUTER DIMENSIONS

TERMINAL TYPE

- **Length**
522±2.0 (20.55±0.08)
- **Width**
202±2.0 (7.95±0.08)
- **Container Height**
216±2.0 (8.50±0.08)
- **Total Height**
B9:240±2.0 (9.45±0.08)
I3:220±2.0 (8.66±0.08)



Terminal Hardware Initial Torque: B9,I3(10.0Nm±5%)

Constant power discharge characteristics at 25 °C/77 °F

Unit: W

Discharge Time F.V. (V/cell)	15 Min	30 Min	1 Hr	3 Hr	5 Hr	10 Hr	20 Hr
1.80V	3724	2537	1456	582.8	402.0	224.6	118.2
1.75V	3896	2634	1499	594.6	408.0	228.0	120.0
1.70V	4016	2694	1526	600.0	410.3	229.2	120.6
1.65V	4108	2731	1545	604.3	411.7	229.7	120.9
1.60V	4190	2760	1560	607.7	412.8	229.7	120.9

Constant current discharge characteristics at 25 °C/77 °F

Unit: A

Discharge Time F.V. (V/cell)	15 Min	30 Min	1 Hr	3 Hr	5 Hr	10 Hr	20 Hr
1.80V	323.8	215.0	122.3	48.57	33.50	18.71	9.85
1.75V	338.8	223.2	126.0	49.55	34.00	19.00	10.00
1.70V	349.2	228.3	128.3	50.00	34.19	19.10	10.05
1.65V	357.2	231.5	129.8	50.36	34.31	19.14	10.08
1.60V	364.4	233.9	131.1	50.64	34.40	19.14	10.08

All data shall be changed without prior notice, BB reserves the right to explain and update the information contained hereinto.